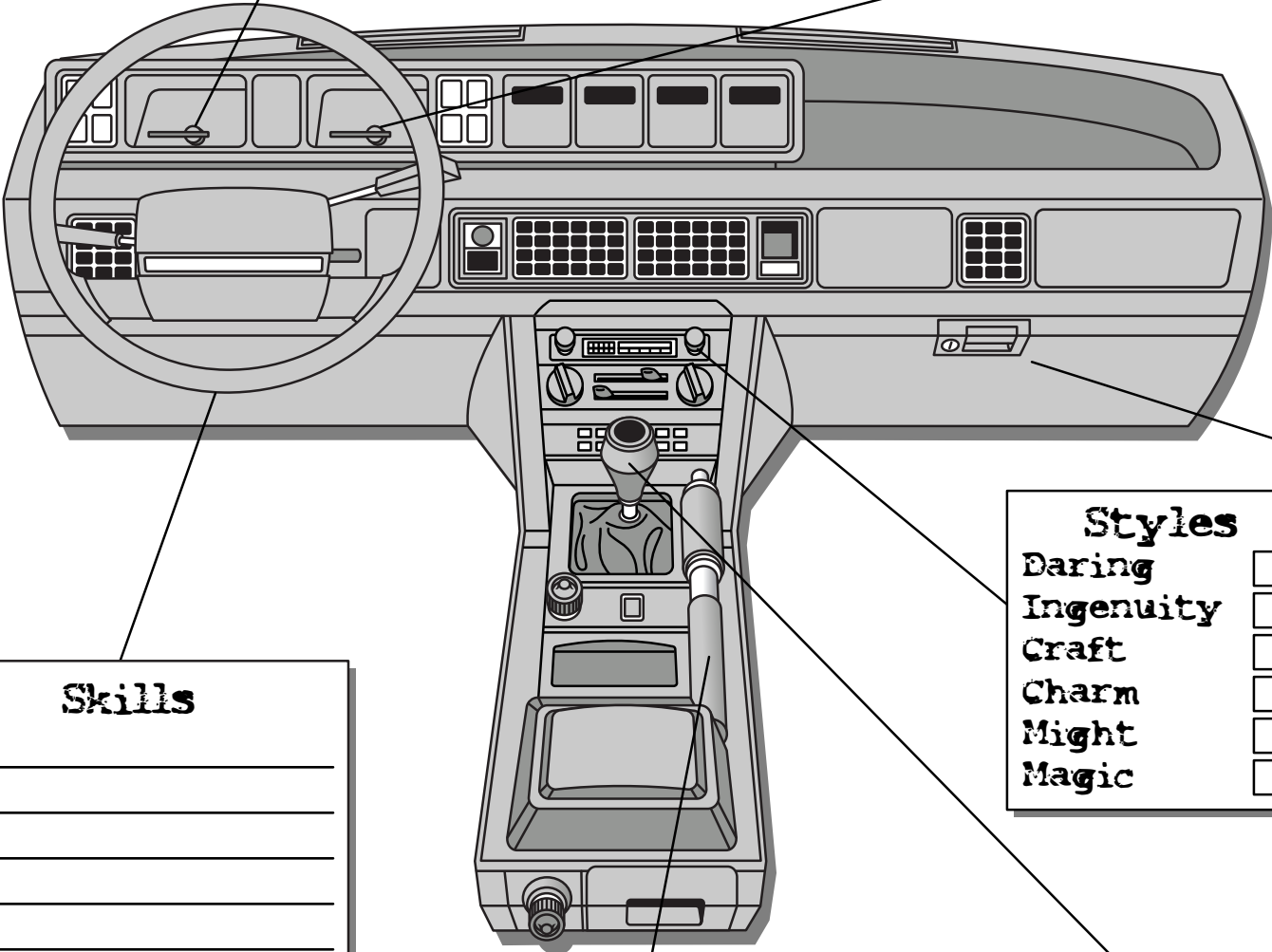


**Nombre** \_\_\_\_\_  
**Player** \_\_\_\_\_  
**Role** \_\_\_\_\_  
**Stampin' Grounds** \_\_\_\_\_

**Plot Points**



**Skills**

\_\_\_\_\_

\_\_\_\_\_

\_\_\_\_\_

\_\_\_\_\_

\_\_\_\_\_

\_\_\_\_\_

**Die Roll Results**

5-6 Player has total control

4 Player has partial control

3 Moderator has partial control

1-2 Moderator has total control

**Styles**

Daring

Ingenuity

Craft

Charm

Might

Magic

**Gear**

**Major**

\_\_\_\_\_

\_\_\_\_\_

\_\_\_\_\_

**Flavor**

\_\_\_\_\_

\_\_\_\_\_

\_\_\_\_\_

**Description**

\_\_\_\_\_

\_\_\_\_\_